

THIS DRAWING IS UNPUBLISHED.

RELEASED FOR PUBLICATION

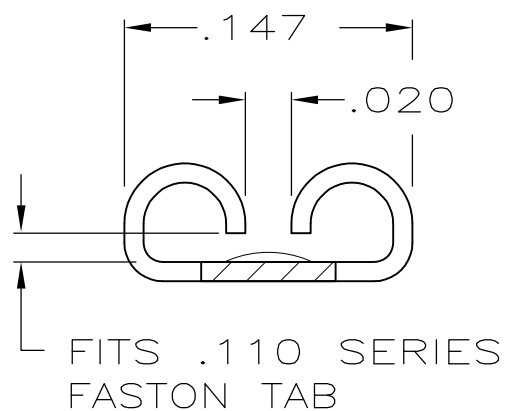
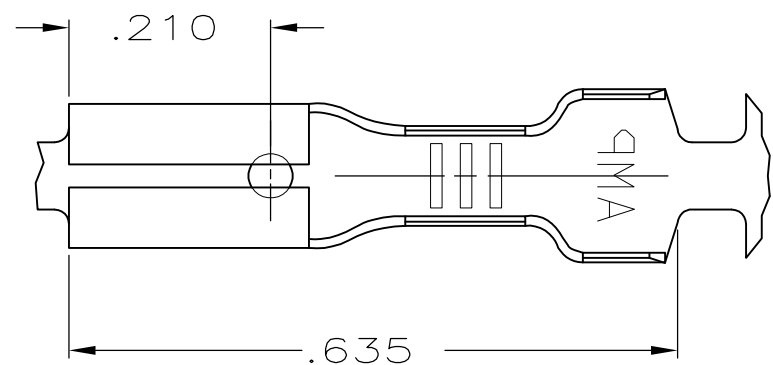
ALL RIGHTS RESERVED.

© COPYRIGHT - By -

LOC AF DIST 50

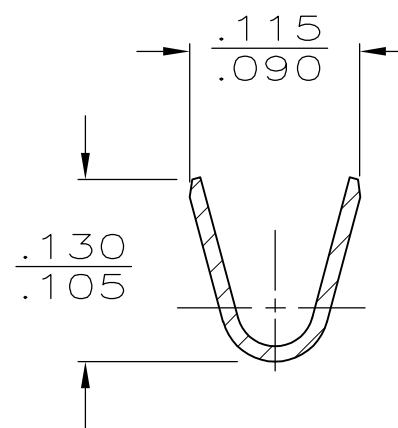
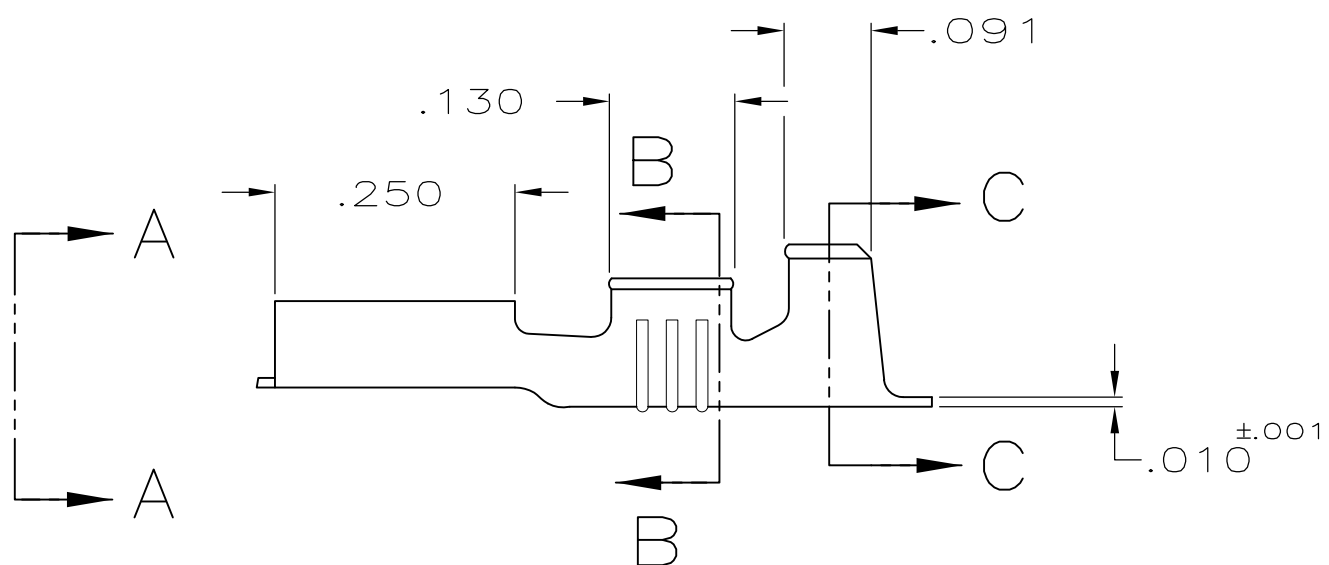
REVISIONS

P	LTR	DESCRIPTION	DATE	DWN	APVD
	E	REVISED PER ECR-12-013459	28NOV2012	KH	PD

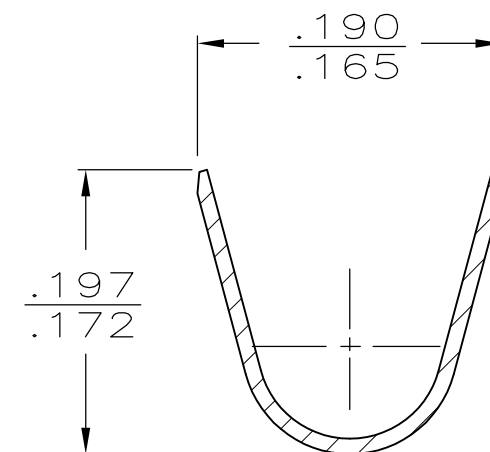


VIEW A-A

- 1 CONTINUOUS STRIP ON REELS.
- 2 MATING TAB THK TO BE  $.032 \pm .001$ .
- 3 WIRE SIZE IS #20-#16 AWG.
- 4 INSULATION RANGE TO BE  $.120-.140$  DIA.



SECTION B-B



SECTION C-C

.000150 MIN NICKEL	082 STEEL	62050-2
PRE-TIN	BRASS	62050-1
FINISH	MATERIAL	PART NO

TYPE	WIDTH	STRIP LENGTH $\pm .015$	TYPE	WIDTH	$\pm .002$ HEIGHT	WIRE
F	.155	.188	F	.070	.060	16
					.051	18
					.045	20
INSUL BARREL CRIMP			WIRE BARREL CRIMP			

THIS DRAWING IS A CONTROLLED DOCUMENT.

DIMENSIONS: INCHES	TOLERANCES UNLESS OTHERWISE SPECIFIED:
	0 PLC $\pm -$
	1 PLC $\pm -$
	2 PLC $\pm -$
	3 PLC $\pm .015$
	4 PLC $\pm -$
	ANGLES $\pm -$
MATERIAL SEE TABLE	FINISH SEE TABLE

DWN JR RUTH	5/15/89
CHK M FEHER	5/15/89
APVD C MEYERS	5/15/89
PRODUCT SPEC	
APPLICATION SPEC	
114-2036	
WEIGHT -	
CUSTOMER DRAWING	

TE Connectivity		62050-2	
		62050-1	
NAME		RECEPTACLE, FASTON,™	
		.110 SERIES	
SIZE	CAGE CODE	DRAWING NO	RESTRICTED TO
A3	00779	C-62050	-
SCALE NTS		SHEET 1 OF 1	REV E